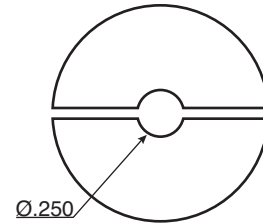
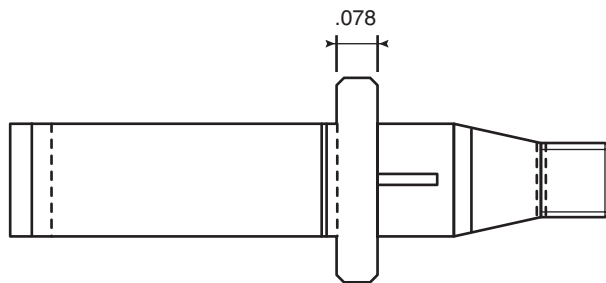
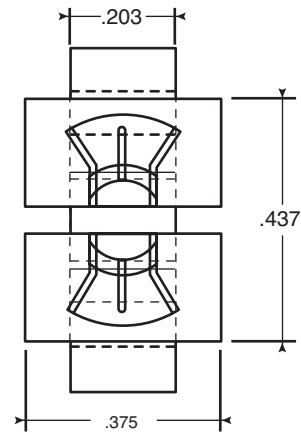
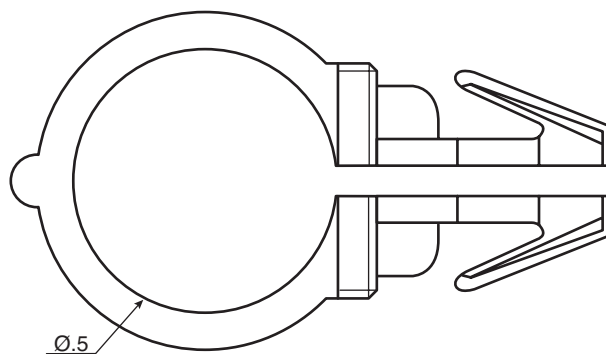


Date Last Revised: 8-2-2006



Note: To fit a .250 hole with slot
see detail above
Panel Thickness .030 to .125



Dimensions: In.

RoHS Compliant